

# Flo-Press

Hydraulic Ram Press

CMP

SAVI

## Compact, Efficient Dewatering

The Flo-Press hydraulic ram press is a low profile dewatering press. This low profile design makes it easily adaptable for retrofit installations. Although the standard design shows the hydraulic power pack mounted on the unit, the power pack can also be mounted to the side of the unit or remotely which increases the installation options.

The Flo-Press unit has a compaction zone in which a hydraulically operated piston is used to apply pressure to the screenings. Screenings enter the dewatering press via a hopper positioned under the discharge point of a screen or via conveyor receiving screenings from several screens. As the screenings are compacted, liquid is forced out of the material and drains through slotted openings in the dewatering zone into a collection trough located beneath the compaction zone. From there the liquid is discharged back into the channel.

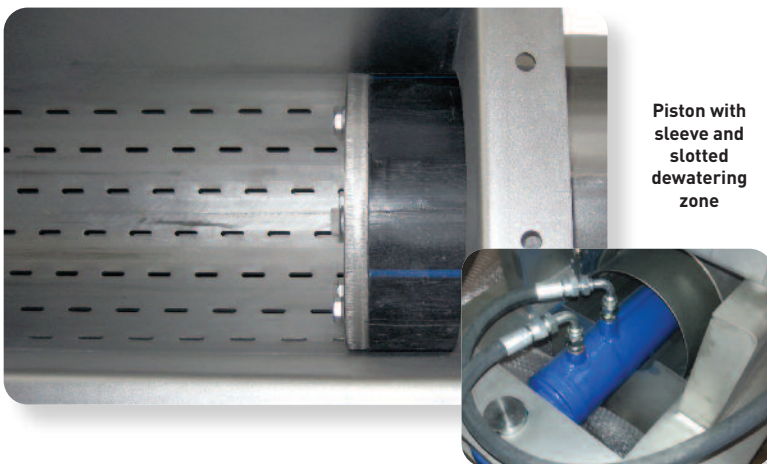
As the piston completes its dewatering cycle, the solids are forced into the discharge piping. Additional dewatering occurs as solids are moved through the pipe. Each subsequent batch of dewatered screenings moves the dewatered material further along in the pipe until it is discharged into a dumpster, bagger or conveyor.

Solids dewatered with the Flo-Press are capable of passing the EPA Paint Filter Test which makes them acceptable to landfill. The volume reduction lowers disposal costs.

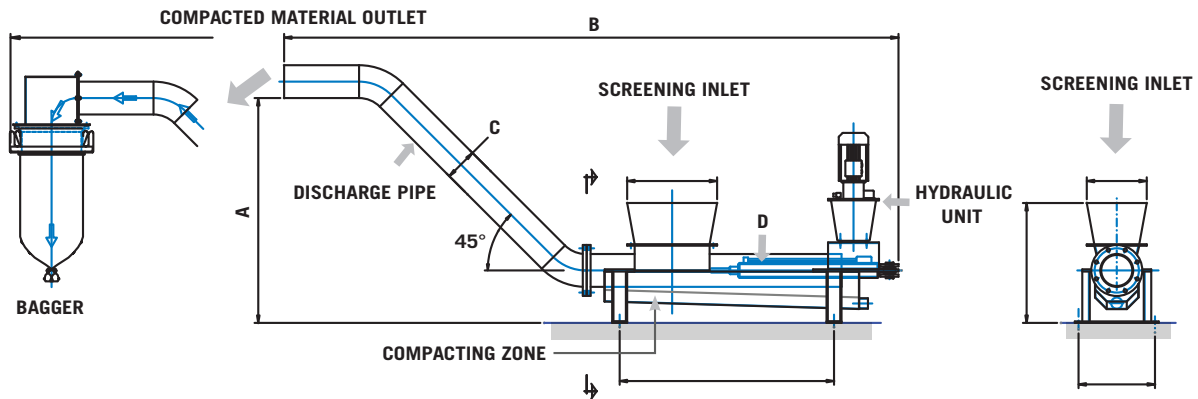


## Features & Benefits

- 1 **Principle of operation is a hydraulically driven ram** - Excellent volume reduction in a small footprint.
- 2 **Volume reduction of 60% or more** - Significantly lower disposal costs.
- 3 **Compact, low profile** - Designed for retrofit or new installations.
- 4 **Piston is encased in a plastic sleeve** - Creates a seal against the piston housing.
- 5 **Manual or automatic wash port into drain** - For periodic flushing of drainage area.
- 6 **Unit dewateres and conveys** - Discharge piping conveys the dewatered solids to collection point.
- 7 **Units with various capacities are available** - Volume based on customer needs.



Piston with sleeve and slotted dewatering zone



## Specifications

		CMP200	CMP250	CMP350
<b>Capacity</b>	ft <sup>3</sup> /hr	53	88	124
<b>Volume reduction</b>		60%	60%	60%
<b>Unit length</b>	inches	161	161	177
<b>Dewatering zone diameter</b>	DN	200	250	350
<b>Pressure</b>	bar	80 / 120	80 / 120	80 / 120

## Materials of Construction

<b>Compaction zone</b>	AISI 304 SST
<b>Ram</b>	AISI 304 SST with polyethylene sleeve
<b>Chutes</b>	AISI 304 SST
<b>Transport tubes</b>	AISI 304 SST
<b>Covers</b>	AISI 304 SST
<b>Supports</b>	AISI 304 SST
<b>Fasteners – covers &amp; drive</b>	AISI 304 SST (316 optional)
<b>Fasteners – press supports</b>	AISI 304 SST (316 optional)



**SAVECO**  
Member of WAMGROUP

1570 St. Paul Avenue  
Gurnee, IL 60031 U.S.A.  
P. 815.636.8306 • F: 847.672.7968

[ecsales@savecowaterna.com](mailto:ecsales@savecowaterna.com)  
[www.savecowaterna.com](http://www.savecowaterna.com)